



# Dynetics

DYNAMIC IN MECHATRONICS



## DATASHEET

ACTILINK-S C INTEGRO SERIES  
INTEGRATED SERVO MOTOR

# ACTILINK-S C 200W INTEGRO INTEGRATED SERVO MOTOR



## ARTICLE NUMBERS:

MPN: ASC-06-020-30-0K without brake  
MPN: ASC-06-020-30-BK with brake

## ESSENTIAL SPECIFICATIONS:

The ACTILINK-S C Integro 200W line core specifications include the following:

Continuous Operation*	
Continuous Stall Torque	0.65 Nm
Rated Torque	0.65 Nm
Rated Velocity	3000 rpm
Max Velocity	4500 rpm
Rated Power	204 W
Rated Voltage	48 V

\* tested at 40°C ambient

Peak Operation	
Peak Torque	2,5 Nm
Peak Power	524 W
Peak DC Current	24 A

Mechanical	no Brake	Brake
Weight	1.1 kg	1.5 kg
Inertia	0.29 kgcm <sup>2</sup>	0.31 kgcm <sup>2</sup>
Max Radial Load	245 N	
Max Axial Load	74 N	
IP Rating	IP 65	

## CONNECTOR OPTIONS:



Hybrid Connectors

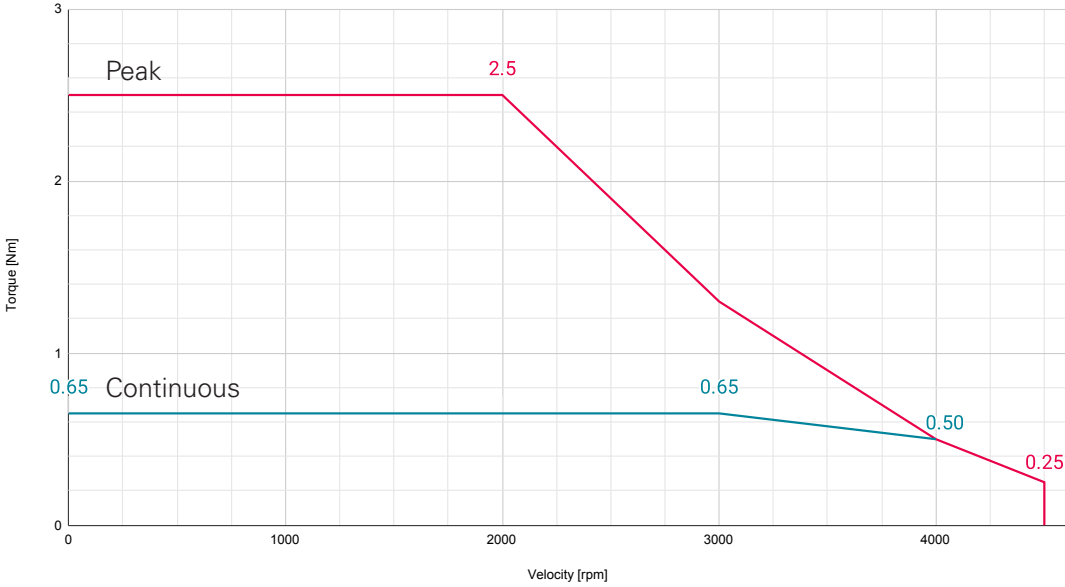


ISO Connectors

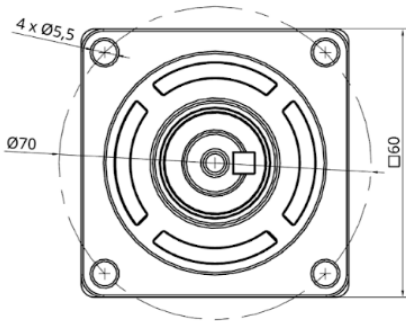
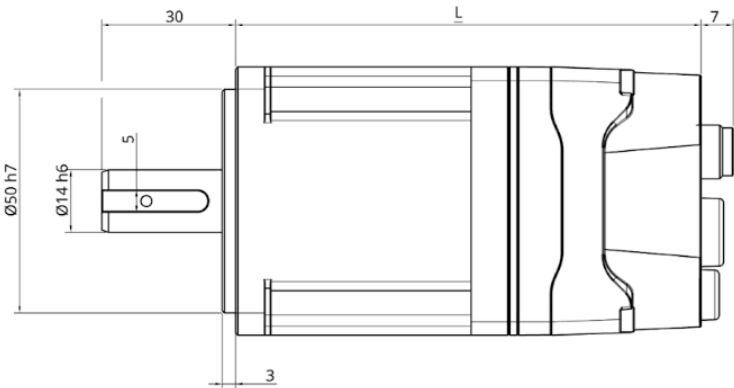
Operating Temperature	0 C° - 40 C° **
Max operating altitude	1000 m **
Storage Temperature	-20 C° - 40 C°
Relative Humidity	20%-80%

\*\* Possible to operate at higher altitude and temperature with derating

**MOTOR CURVE:**



**DIMENSIONS:**



	L
No Brake	104
Brake	133

# ACTILINK-S C INTEGRO 400W INTEGRATED SERVO MOTOR



## ARTICLE NUMBERS:

MPN: ASC-06-040-30-0K without brake  
MPN: ASC-06-040-30-BK with brake

## ESSENTIAL SPECIFICATIONS:

The ACTILINK-S C Integro 400W line core specifications include the following:

Continuous Operation*	
Continuous Stall Torque	1.3 Nm
Rated Torque	1.3 Nm
Rated Velocity	3000 rpm
Max Velocity	4500 rpm
Rated Power	408 W
Rated Voltage	48 V

\* tested at 40°C ambient

Peak Operation	
Peak Torque	5 Nm
Peak Power	1047 W
Peak DC Current	40 A

Mechanical	no Brake	Brake
Weight	1.4 kg	1.8 kg
Inertia	0.58 kgcm <sup>2</sup>	0.59 kgcm <sup>2</sup>
Max Radial Load	245 N	
Max Axial Load	74 N	
IP Rating	IP 65	

## CONNECTOR OPTIONS:



Hybrid Connectors



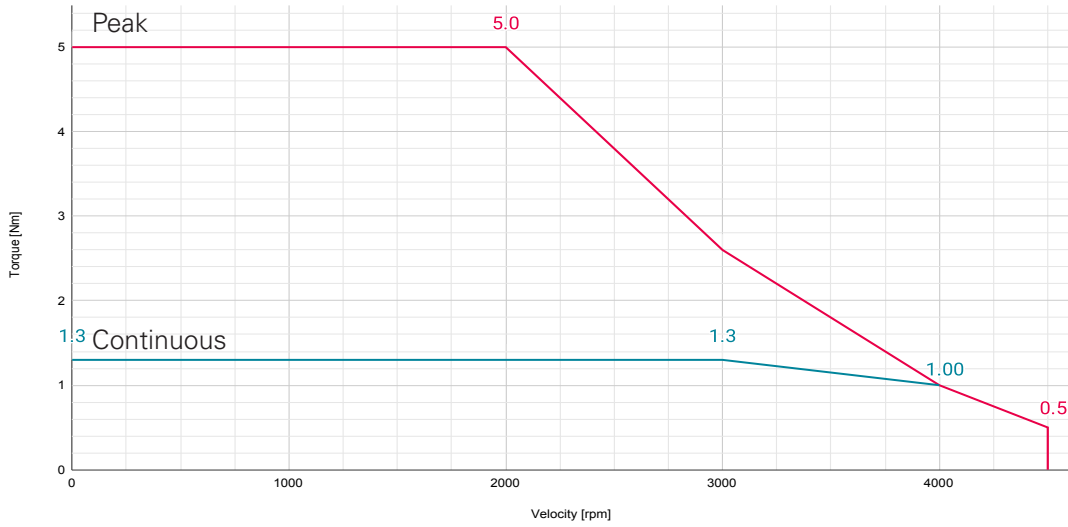
ISO Connectors

Operating Temperature	0 C° - 40 C° **
Max operating altitude	1000 m **
Storage Temperature	-20 C° - 40 C°
Relative Humidity	20%-80%

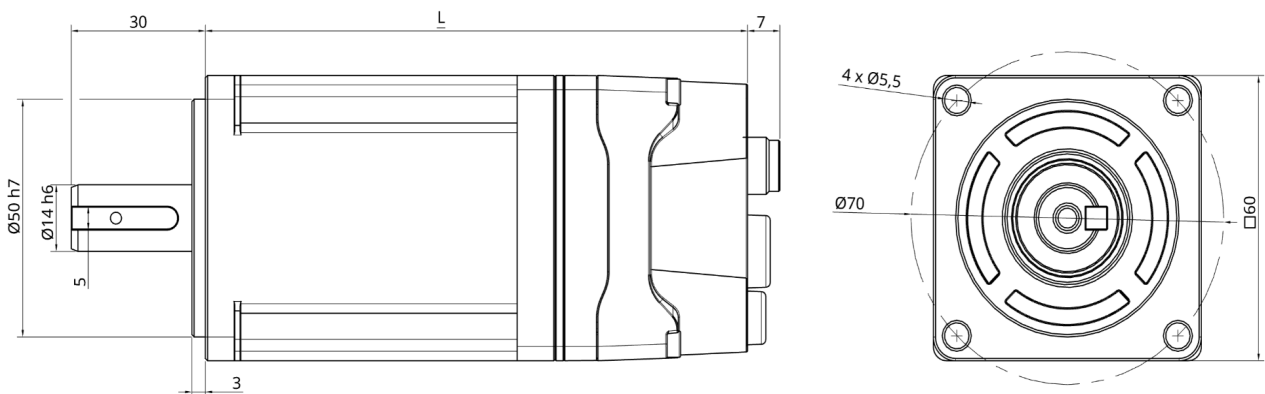
\*\* Possible to operate at higher altitude and temperature with derating

## MOTOR CURVE:

Motor curve Actilink ASC-06-040-30-0K



## DIMENSIONS:



	L
No Brake	121
Brake	150

# ACTILINK-S C INTEGRO 600W INTEGRATED SERVO MOTOR



## ARTICLE NUMBERS:

MPN: ASC-06-060-30-OK without brake

MPN: ASC-06-060-30-BK with brake

## ESSENTIAL SPECIFICATIONS:

The ACTILINK-S C Integro 600W line core specifications include the following:

Continous Operation*	
Continous Stall Torque	2 Nm
Rated Torque	1.9 Nm
Rated Velocity	3000 rpm
Max Velocity	4500 rpm
Rated Power	597 W
Rated Voltage	48 V
Rated Efficiency***	83%

\* tested at 40°C ambient

\*\*\* Overall system efficiency of motor with electronics at rated operation

Peak Operation	
Peak Torque	8 Nm
Peak Power	1676 W
Peak DC Current	60 A

Mechanical	no Brake	Brake
Weight	1.8 kg	2.2 kg
Inertia	0.83 kgcm <sup>2</sup>	0.84 kgcm <sup>2</sup>
Max Radial Load	245 N	
Max Axial Load	74 N	
IP Rating	IP 65	

## CONNECTOR OPTIONS:



Hybrid Connectors



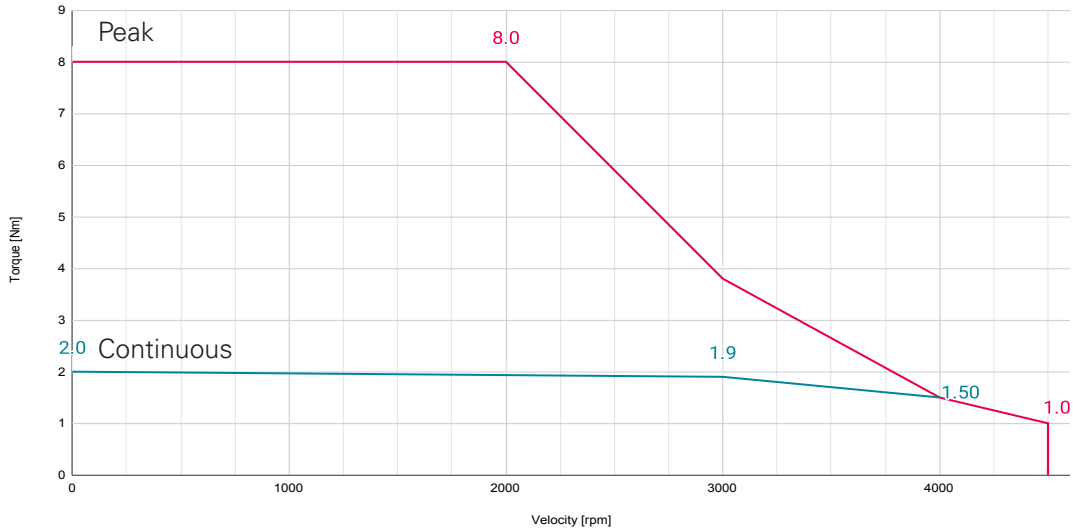
ISO Connectors

Operating Temperature	0 C° - 40 C° **
Max operating altitude	1000 m **
Storage Temperature	-20 C° - 40 C°
Relative Humidity	20%-80%

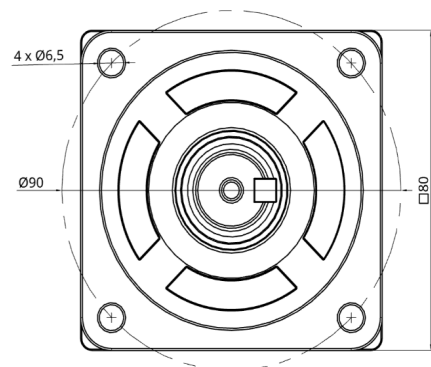
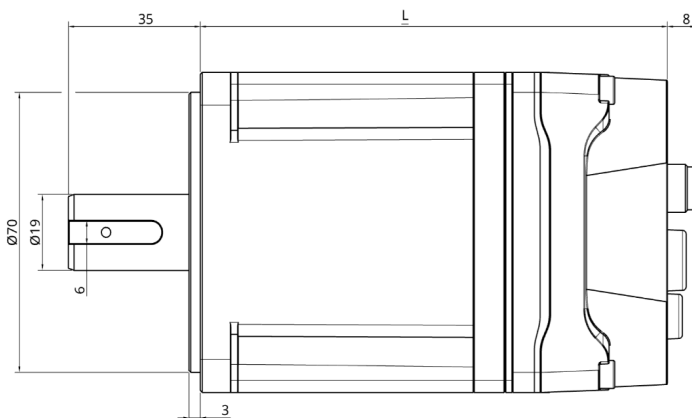
\*\* Possible to operate at higher altitude and temperature with derating

# MOTOR CURVE:

Motor curve Actilink S ASC-06-060-30-0K



# DIMENSIONS:



	L
No Brake	124
Brake	157

# ACTILINK-S C INTEGRO 750W INTEGRATED SERVO MOTOR



## ARTICLE NUMBERS:

MPN: ASC-08-075-30-0K without brake

MPN: ASC-08-075-30-BK with brake

## ESSENTIAL SPECIFICATIONS

The ACTILINK-S C Integro 750W line core specifications include the following:

Continuous Operation*	
Continuous Stall Torque	2.4 Nm
Rated Torque	2.4 Nm
Rated Velocity	3000 rpm
Max Velocity	4500 rpm
Rated Power	754 W
Rated Voltage	48 V

\* tested at 40°C ambient

Peak Operation	
Peak Torque	9.5 Nm
Peak Power	2487 W
Peak DC Current	76 A

Mechanical	no Brake	Brake
Weight	2.4 kg	3 kg
Inertia	1.5 kgcm <sup>2</sup>	1.65 kgcm <sup>2</sup>
Max Radial Load	392 N	
Max Axial Load	147 N	
IP Rating	IP 65	

## CONNECTOR OPTIONS:



Hybrid Connectors



ISO Connectors

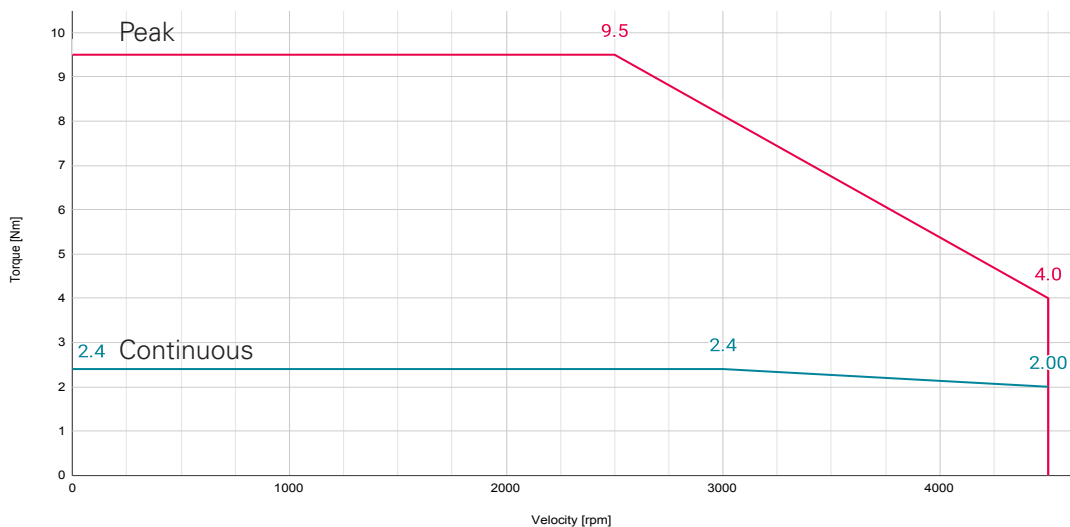
Operating Temperature	0 C° - 40 C° **
Max operating altitude	1000 m **
Storage Temperature	-20 C° - 40 C°
Relative Humidity	20%-80%

\*\* Possible to operate at higher altitude and temperature with derating

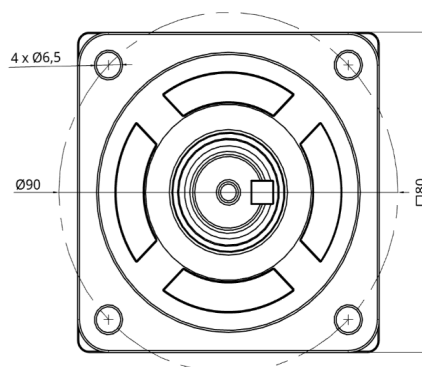
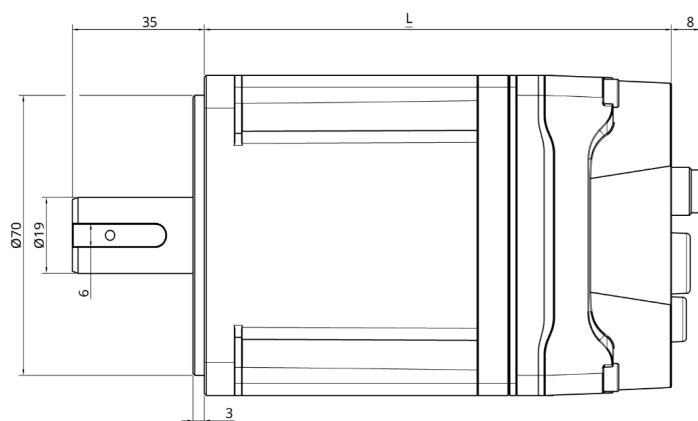


# MOTOR CURVE:

Motor curve Actilink S ASC-08-075-30-0K



# DIMENSIONS:



	L
No Brake	124
Brake	157

# ACTILINK-S C INTEGRO 1000W INTEGRATED SERVO MOTOR



## ARTICLE NUMBERS:

MPN: ASC-08-100-30-0K without brake  
MPN: ASC-08-100-30-BK with brake

## ESSENTIAL SPECIFICATIONS

The ACTILINK-S C Integro 1000W line core specifications include the following:

Continous Operation*	
Continous Stall Torque	3.2 Nm
Rated Torque	3.2 Nm
Rated Velocity	3000 rpm
Max Velocity	4500 rpm
Rated Power	1005 W
Rated Voltage	48 V
Rated Efficiency***	91 %

\* tested at 40°C ambient

\*\*\* Overall system efficiency of motor with electronics at rated operation

Peak Operation	
Peak Torque	13 Nm
Peak Power	3403 W
Peak DC Current	120 A

Mechanical	no Brake	Brake
Weight	2.9 kg	3.3 kg
Inertia	1.8 kgcm <sup>2</sup>	1.95 kgcm <sup>2</sup>
Max Radial Load	392 N	
Max Axial Load	147 N	
IP Rating	IP 65	

## CONNECTOR OPTIONS:



Hybrid Connectors



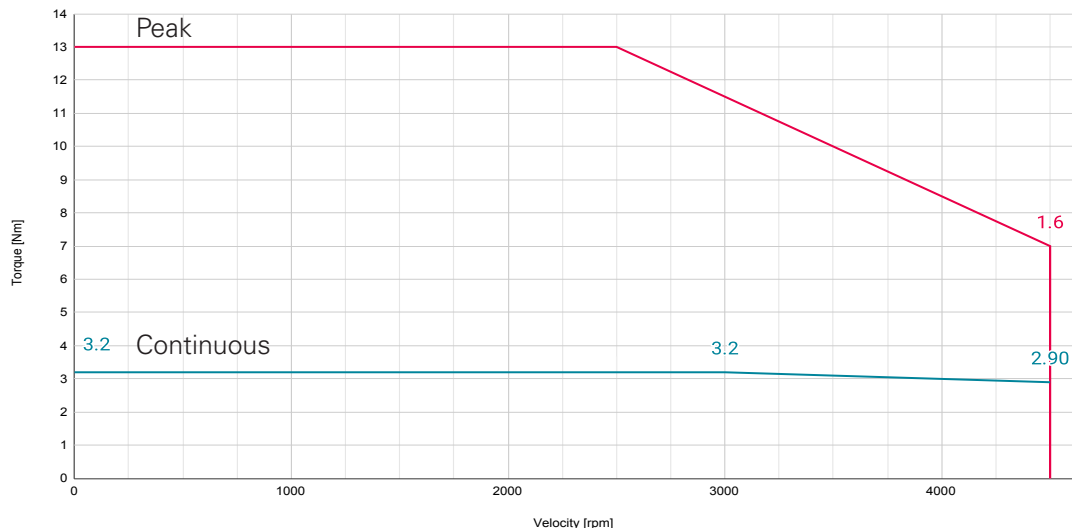
ISO Connectors

Operating Temperature	0 C° - 40 C° **
Max operating altitude	1000 m **
Storage Temperature	-20 C° - 40 C°
Relative Humidity	20%-80%

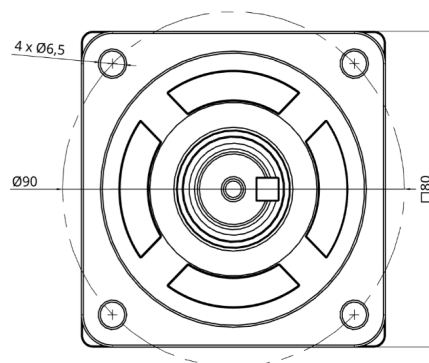
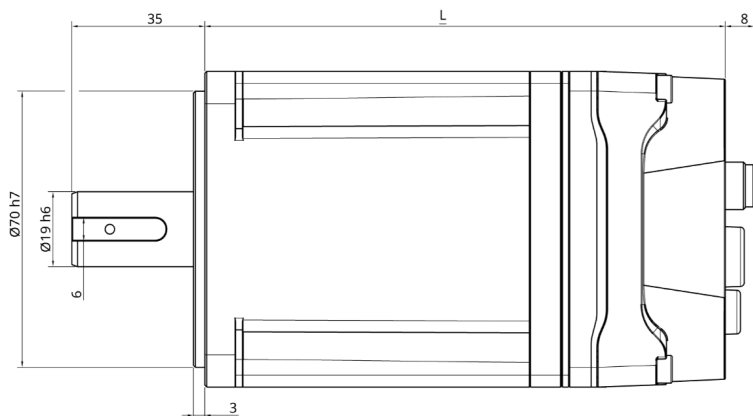
\*\* Possible to operate at higher altitude and temperature with derating

# MOTOR CURVE:

Motor curve Actilink S ASC-08-100-30-0K



# DIMENSIONS:



	L
No Brake	137
Brake	170



## ESSENTIAL SPECIFICATIONS SOMANET INTEGRO

The SOMANET Integro line core specifications include the following:

SPECIFICATIONS	OPTIONS OF ALL DEVICES
DC bus voltage	24-60 V
Operating temperature	0-40°C
Thermal management and protection	Internal temperature sensors motor temperature sensor input, I2t
Safety functions	STO, SBC
Safety integrity level	SIL3, PLe-Cat.3
Bus interface	Options: EtherCAT, EtherNet/IP, PROFINET
GPIO	Optional: 2x DIO, 1x DI, 1x AI, 1x ext. encoder (BiSS / SSI / ABI)
Commissioning	OBLAC Drives, native apps available for Windows, Linux or OBLAC Box
Control system architectures	With PLC / master controller via field bus, standalone via user scripting or combined
Integrated encoders	Options: 12 bit, 14 bit, 18 bit Optional: absolute multi-turn (battery free)
Approvals and certificates	CE, IEC-61800, among others. See: Standards and Compliance (below) for details.

## STANDARDS AND COMPLIANCE

Synapticon adheres to the following standards and compliance requirements:

CATEGORY	STANDARDS
General Product Safety Directive	2001/95/EC
EMC	IEC 61800-3 Emissions: C2 Immunity: second environment
Electrical Safety	IEC 61800-5-1
Functional Safety	IEC 61800-5-2, IEC 61508 parts 1-7, ISO 13849-1, ISO 13849-2
UL	UL 61800-5-1, 2nd edition
Shock	IEC 60068-2-6
Vibration	IEC 60068-2-27



**DYNAMISCH MIT MECHATRONIK**

Dynetics B.V. De Rijn 12 5684PJ Best, The Netherlands  
Tel: +31-(0)499-371007 | Fax: +31-(0)499-372008

Dynetics GmbH Klostergasse 6 D-41334 Nettetal-Kaldenkirchen, Deutschland  
Tel : +49-(0)2157-128990 | Fax: +49-(0)2157-128999

## CE

SOMANET Integro complies with the requirements of the respective European directives (CE), ensuring that it meets the highest standards set by the European Union. The CE mark is a symbol of quality and safety, providing assurance that the product complies with the essential requirements of relevant European health, safety, and environmental protection legislation. A declaration of conformity (DoC) can be issued on request.

## REACH Compliance

SOMANET Integro is fully compliant with the REACH (Registration, Evaluation, Authorization, and Restriction of Chemicals) regulation, ensuring the safety and environmental responsibility of the product.. REACH is a European Union regulation that addresses the production and use of chemical substances. SOMANET Integro complies with REACH by adhering to the strict restrictions set on the use of hazardous substances, as outlined in the regulation.

## RoHS Compliance

RoHS (Restriction of Hazardous Substances) is an EU directive that restricts the use of certain hazardous substances in electrical and electronic equipment. SOMANET Integro is RoHS-compliant, ensuring that it does not contain any restricted substances- such as lead, mercury, cadmium, and others - above the specified limits.